

M12 Power K-cod. 5pol. female recept. front mount

wires PUR 5x1,5 0,2m

Flange female

M12, 5-pole

K-coded

Front mounting

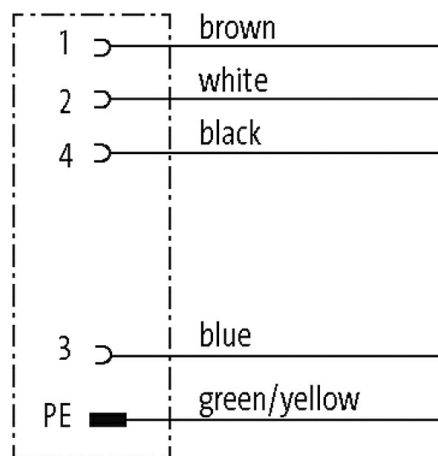
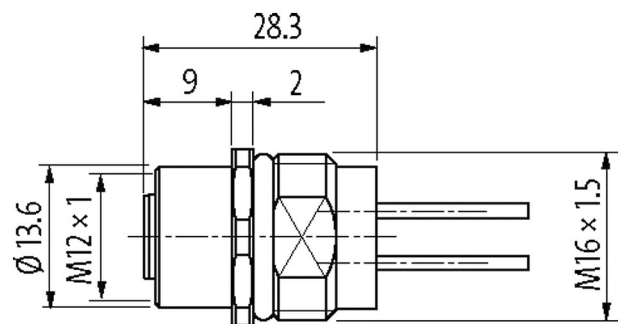
with multi-strand wire

The resistance to aggressive media should be individually tested for your application. Further details on request.

Further cable lengths on request.

[Link to Product](#)

Illustration



Product may differ from Image

Form

Form P3291

General data

Standards	IEC 61076-2-111
Pollution Degree	3
Mounting set	Screw thread (M16×1.5 mm) mounting nut
Temperature range	-25...+85 °C, depending on cable quality
Material (gasket)	FKM

Cables

No./diameter of wires	5× 1.5 mm ²
Wire isolation	PUR (br, wh, bl, bk, gnye)
Outer Ø	8.7 mm ±5%

Temperature range (fixed)	-40...+90 °C
Temperature range (mobile)	-25...+90 °C
Cable identification	988
Cable weight [g/m]	107,25
Material (wire)	Cu wire, tin plated
Resistor (core)	max. 13.3 Ω /km (20 °C)
Single wire \varnothing (core)	0.25 mm
Construction (core)	30x 0.25 mm (multi-strand wire class 5)
Diameter (core)	5x 1.5 mm ²
Material (wire isolation)	PUR
Wire- \varnothing incl. isolation	2.4 mm \pm 5%
Color/numbering of wires	br, bk, bl, wh, gnye longitudinally striped
thermal resistance	flame retardant
Nominal voltage	900 V AC
Test voltage	3310 V AC
Temperature range (fixed)	-40...+90 °C
Temperature range (mobile)	-25...+90 °C

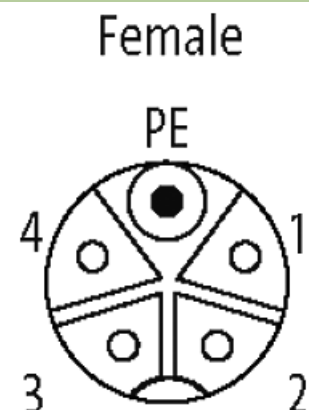
Technical Data

Operating voltage	max. 630 V AC/DC
Rated surge voltage	6.0 kV
Operating current per contact	max. 12 A
Material group	IEC 60664-1, category I
Coding	K-coded
Locking of ports	Screw thread (M12x1 mm) recommended torque 0.6 Nm, self-securing
Compression gland	Flange (SW17)
Protection	IP65 and IP67 when plugged and screwed down (EN 60529)
Locking material	Brass, nickel plated
Housing	Brass, nickel plated
suitable for corrugated tube (internal \varnothing)	without

Commercial data

country of origin	DE
customs tariff number	85444290
EAN	4048879752770
eClass	27279220
Packaging unit	1

Sketch



Product may differ from Image

